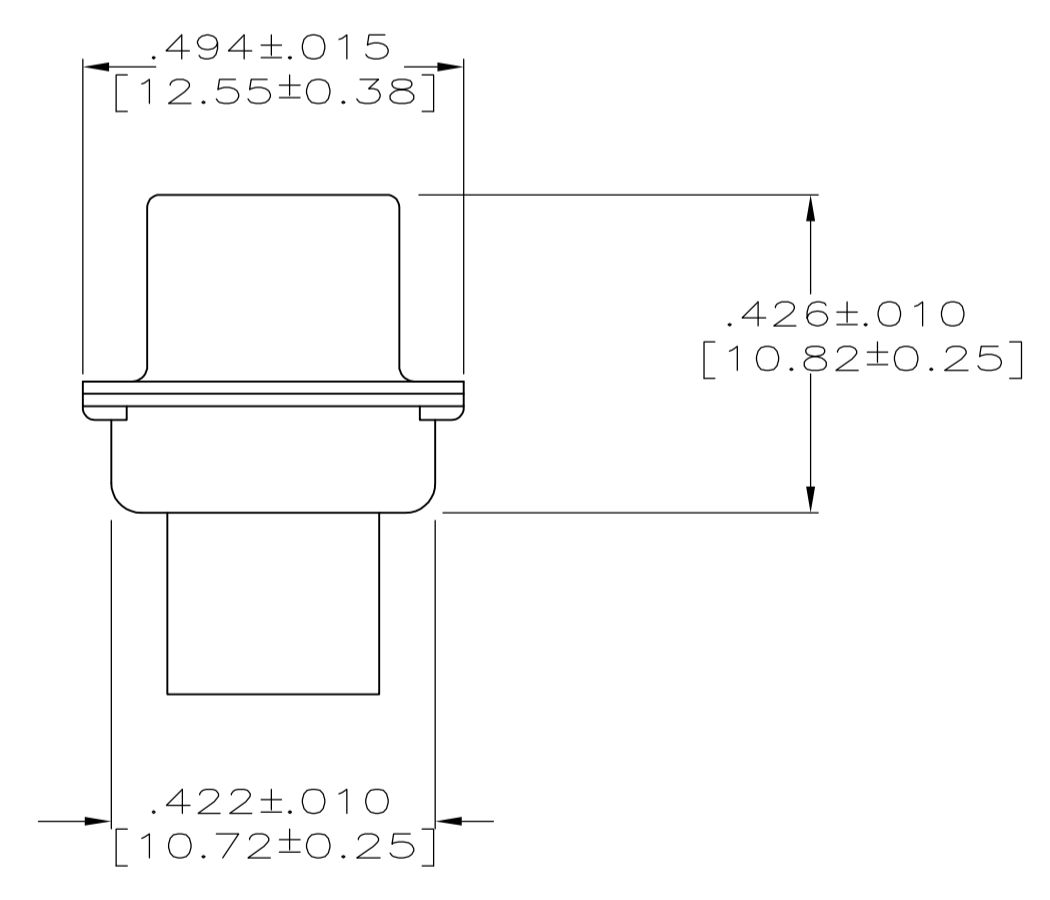
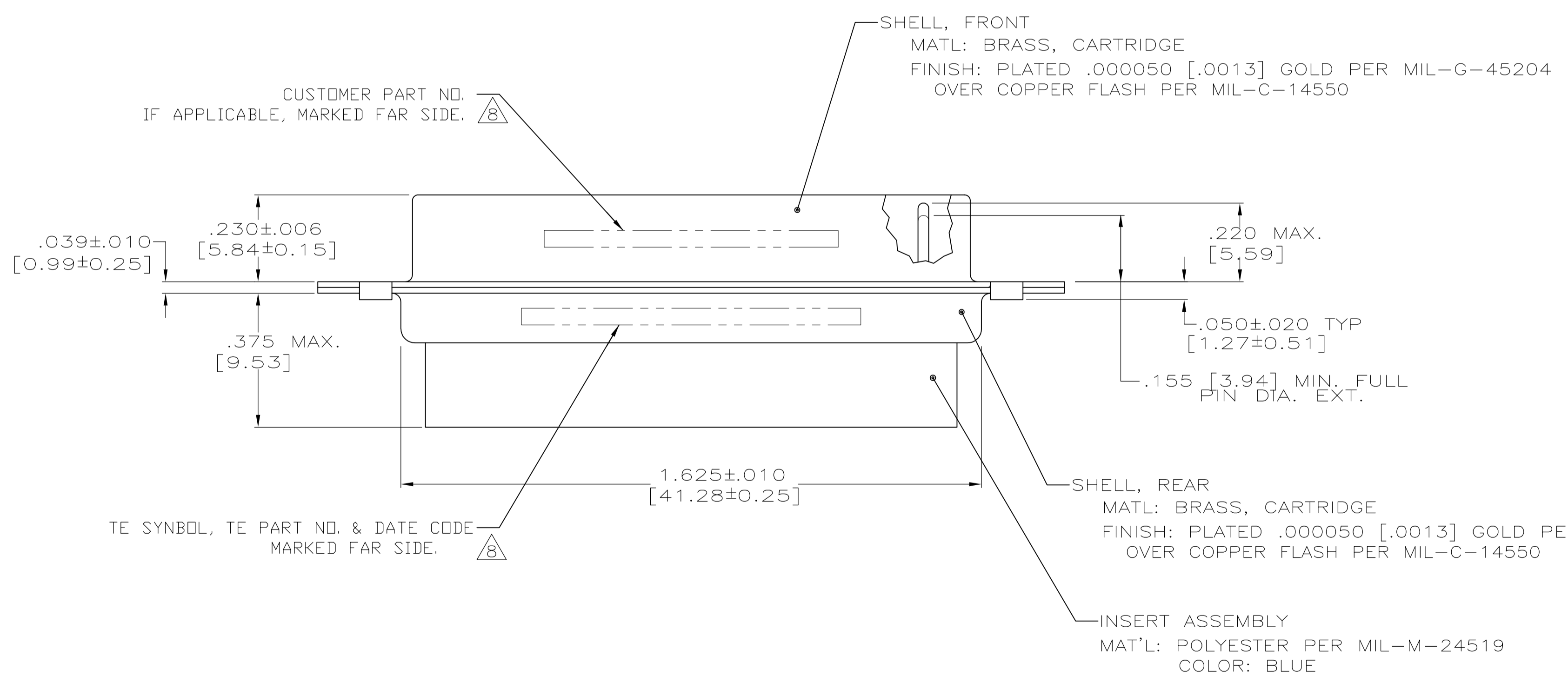
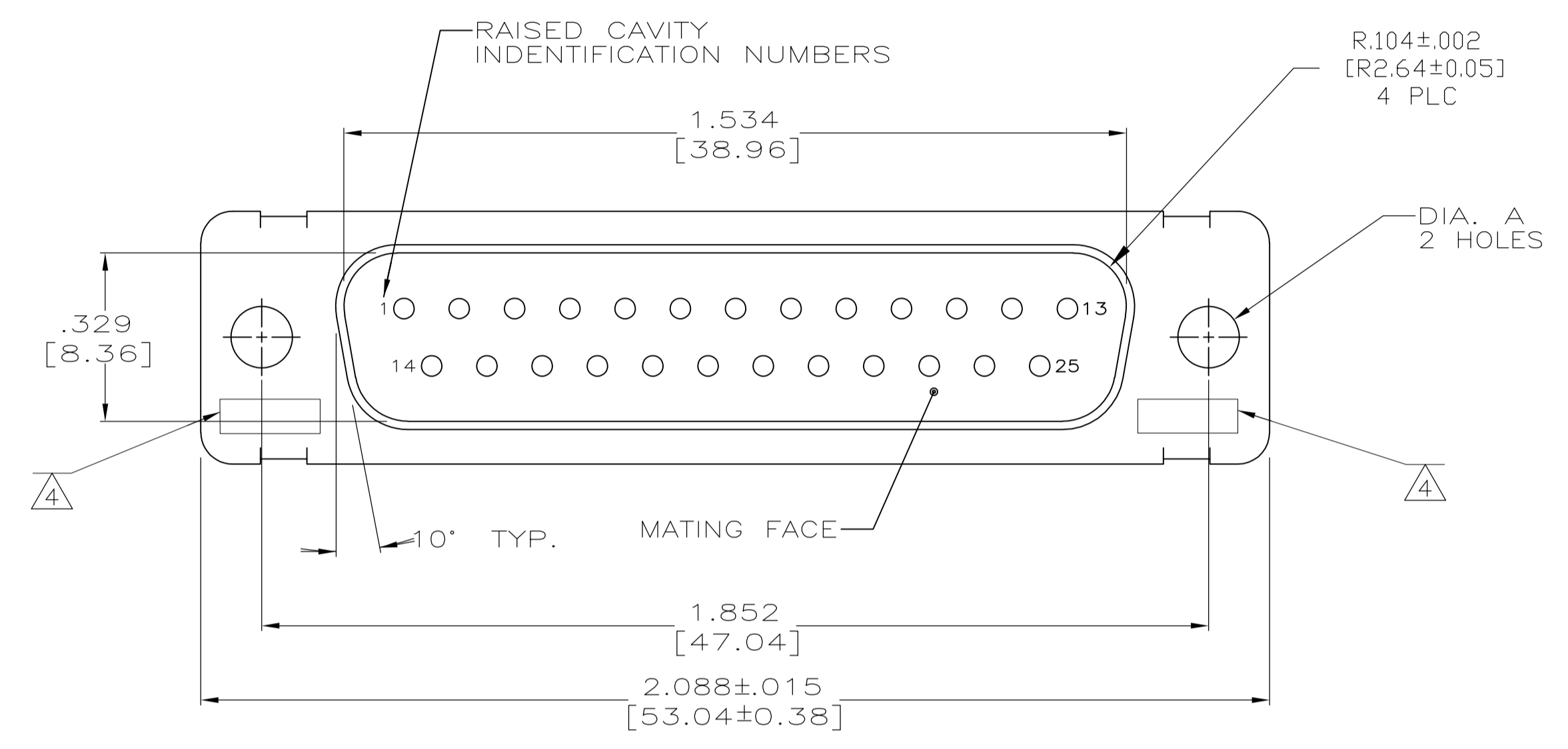


- THIS PLUG WILL MATE WITH ANY RECEPTACLE CONNECTOR WITH SAME INSERT ARRANGEMENT AS DEFINED BY MS18275-1.
- MAXIMUM WIRE INSULATION USED WITH THIS PLUG IS .072 [1.83] DIA. MAX.
- Be-Cu RETENTION CLIPS ARE INCLUDED IN INSERTS.
- UL/CSA DESIGNATION STAMPED IN THIS AREA, OPTIONAL.
- RESTRICTED TO CAE ELECTRONICS ONLY.
- THESE CONNECTORS ARE QUALIFIED TO GODDARD SPACE FLIGHT CENTER SPECIFICATION S-311-P-4.
- CONTACT NOT INCLUDED - SHOWN FOR DIMENSIONAL REFERENCE ONLY.
- FAR SIDE REFERS TO WIDE SIDE OF KEYSTONE.



SUPERSEDED BY 1996076-3	.120 [3.05]	8333648P4	206800-8	206800-8
	.120 [3.05]	570513-8	206800-7	206800-7
	.120 [3.05]	311P409-3P-B-12	206800-2	206800-6
OBSELETE	.120 [3.05]	---	206800-5	206800-5
OBSELETE	.120 [3.05]	2A014-003V-001	206800-4	206800-4
	.154 [3.91]	---	206800-3	206800-3
	.120 [3.05]	311P409-3P-B-12	206800-2	206800-2
	.154 [3.91]	311P409-3P-B-15	206800-1	206800-1
REMARKS	DIA A	CUSTOMER P/N ON CONNECTOR	TE P/N ON CONNECTOR	AMP P/N

THIS DRAWING IS A CONTROLLED DOCUMENT.

DIMENSIONS: INCHES	TOLERANCES UNLESS OTHERWISE SPECIFIED:	DIN	M. CLOUSER	1-3-89
	0 PLC ± -	CHK	A. EMADI	1-6-89
	1 PLC ± -	APVD	A. EMADI	1-6-89
	2 PLC ± -	NAME	AMPLIMITE NONMAGNETIC PLUG ASSEMBLY WITHOUT SIZE 20 PIN CONTACTS, SERIES 109, SHELL SIZE 3, 25 POSITION	
	3 PLC ± .005 [0.13]	APPLICATION SPEC	SIZE	CAGE CODE
	4 PLC ± -	WEIGHT	A1	00779
	ANGLES ± 0°30'	CUSTOMER DRAWING	SCALE	4:1
MATERIAL SEE CALLOUTS	FINISH SEE CALLOUTS	RESTRICTED TO	SHEET	1 OF 1
			REV	M

AMP 4805 REV 31MAR2000